

Hinged Security Screen Door Lockset and 3-point Kit

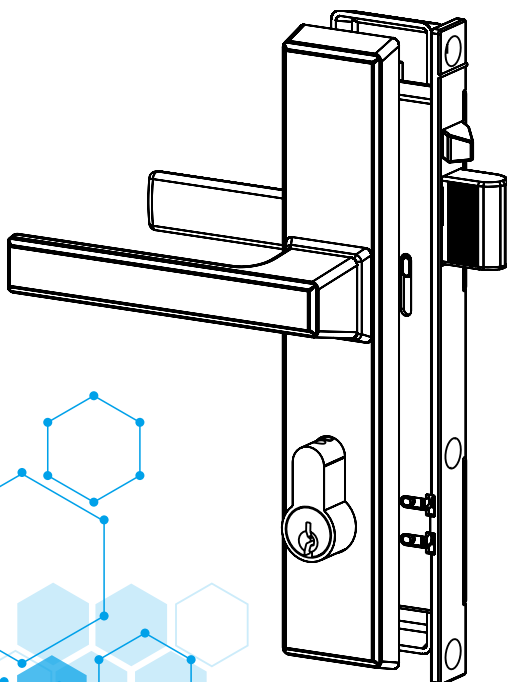
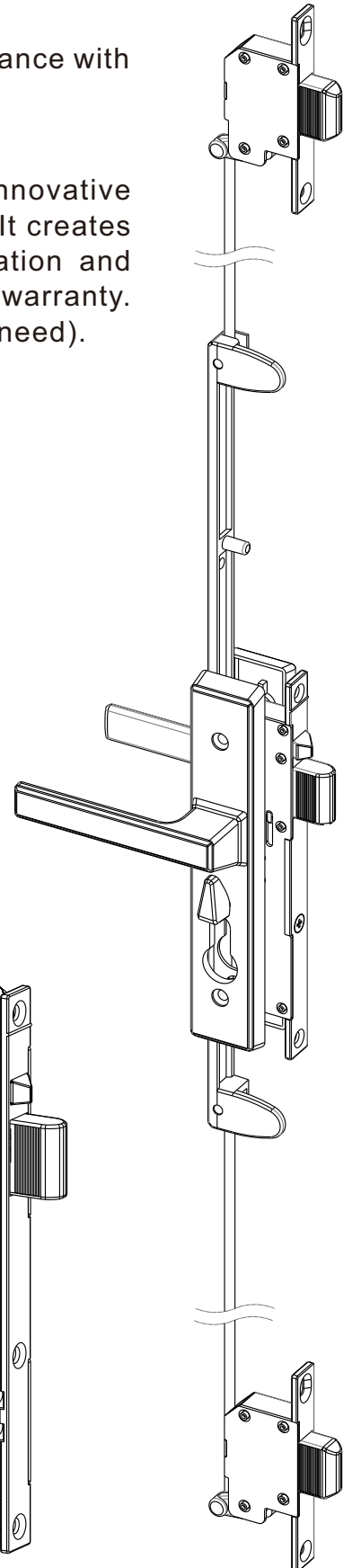


- Installation suitable for industry cut-out and retrofit to current market products of both central lock and 3-point kit
- Patented design ideas integrated for better reliability and performance with 3 functional modes (Passage, Safety by snib and Secure by key)

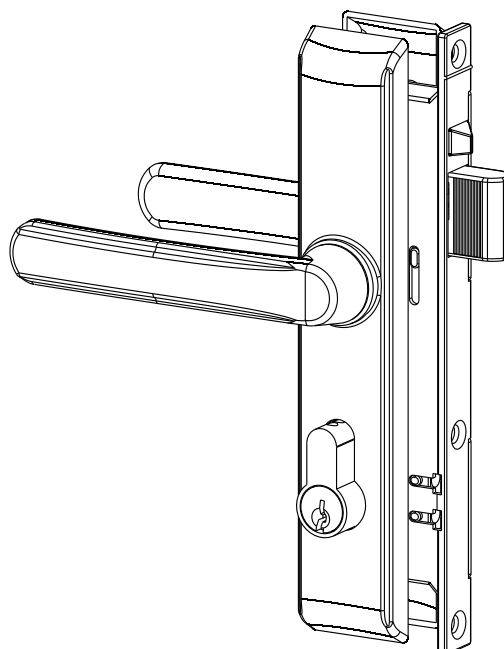
The AST Hinged Security Screen Door Lockset features an innovative mechanism and aesthetic furniture which suits your security need. It creates reliable performance like comparatively low noise, smooth operation and endurance, with required strength for security to support 10 years warranty. Available colors including black/white/silver (or others per customer need).

Key Features

- Non-handed furniture to suit both left and right-hand door application
- Retrofit current market products of metal hinged security screen door
- Non-through serrations on main-bolt for extra performance on jemmy test and no grip to striker plate
- Snib function integrated and key overrides snib for security and convenience
- Furniture and main Lock-body parts are made of high strength zinc alloy. Lockset tested for 100K cycles and 240 hrs of NSS per relevant AS standards.



Lockset with square handle set



Lockset with round handle set

Lockset with 3-point kit