

Pneumatic Door Closer for Hinged Security Screen Door

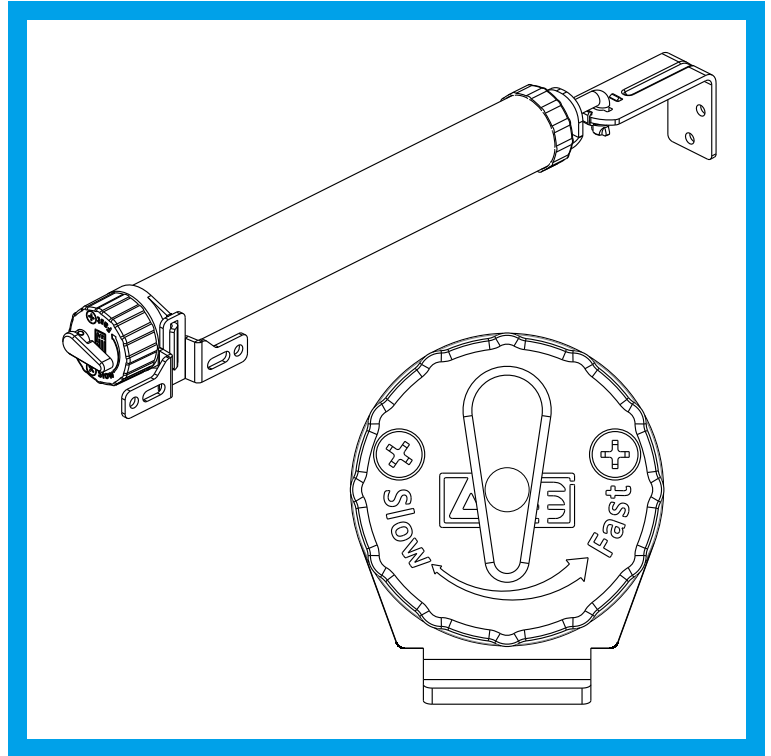


- Suitable for hinged security screen doors
- Premium on reliability and functional performance

The AST patented Pneumatic Door Closer is designed for premium performance on both function and reliability, better features like speed adjustment, parts fixing, material characteristic and mounting clip are integrated, for both retrofit and new installation of surface mounting.

It creates a both functionality of operation and extreme reliability with more innovative ideas on product design, combining elegance with ease of use.

Available in colors of powder coating such as black and white.



Key features

- Quick and easy operation with convenient adjustment and sealing mechanism design
- Better mounting with redesigned parts and thickness for reliability
- Improved parts and fixing structure for higher strength and reliability
- Elegant appearance design with better material and surface finishing
- Good corrosion resistance test result per AS 4145.1-2008 (C7 - 240 hrs)
- Passed 100k cycles with testing door weighted both 18 and 25 kgs

